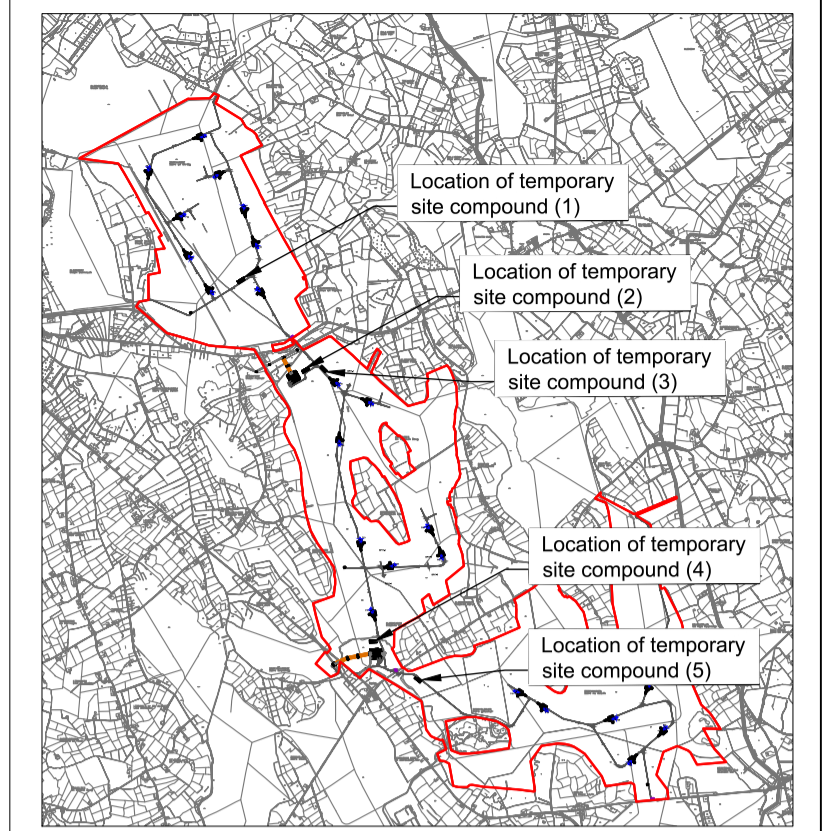


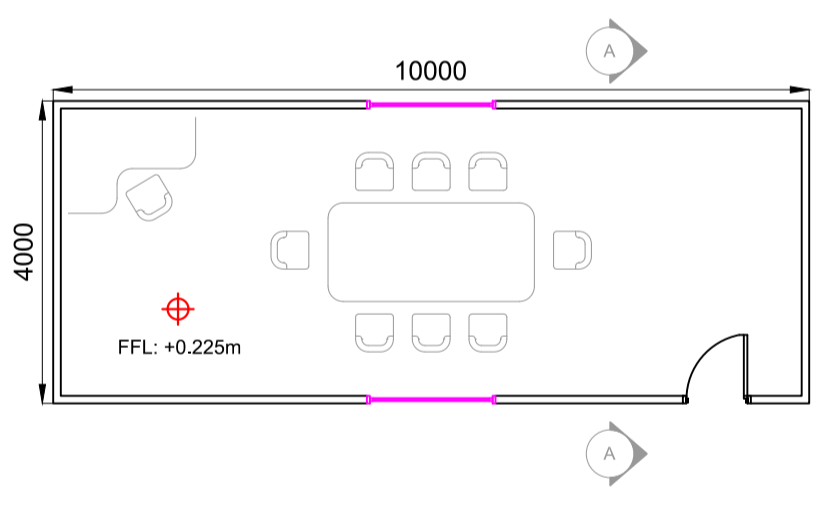
NOTE:
Compound road surface to be 150mm thick compacted cl.6F / cl.804 limestone.



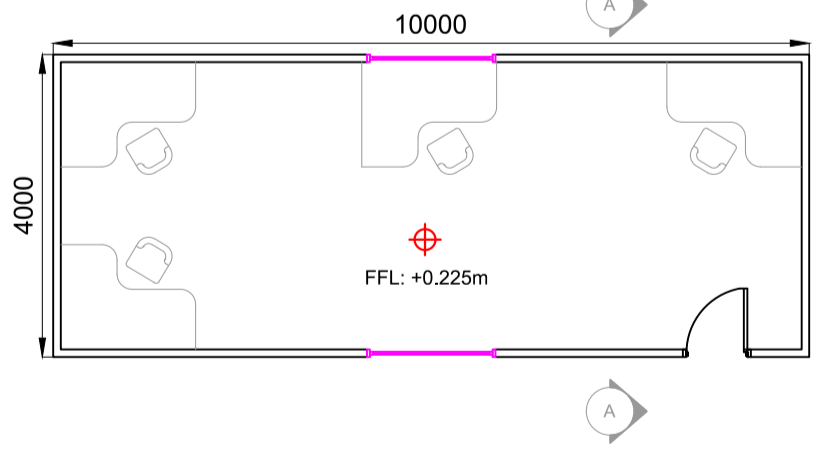
KEYPLAN
NTS

- NOTES:**
- DRAWINGS FOR PLANNING PURPOSES ONLY.
 - FIGURED DIMENSIONS ONLY TO BE TAKEN FROM THIS DRAWING.
 - GRID REFERENCES TO IRISH NATIONAL GRID.
 - ALL LEVELS SHOWN RELATE TO ORDANCE SURVEY DATUM AT MALIN HEAD

CONTRACTORS COMPOUND - LAYOUT PLAN
SCALE 1:250

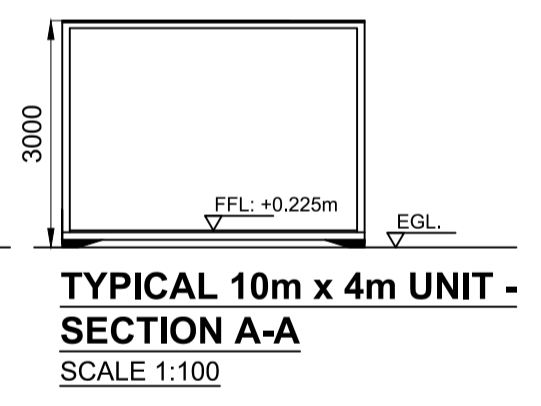


10m x 4m MEETING ROOM - FLOOR PLAN
SCALE 1:100



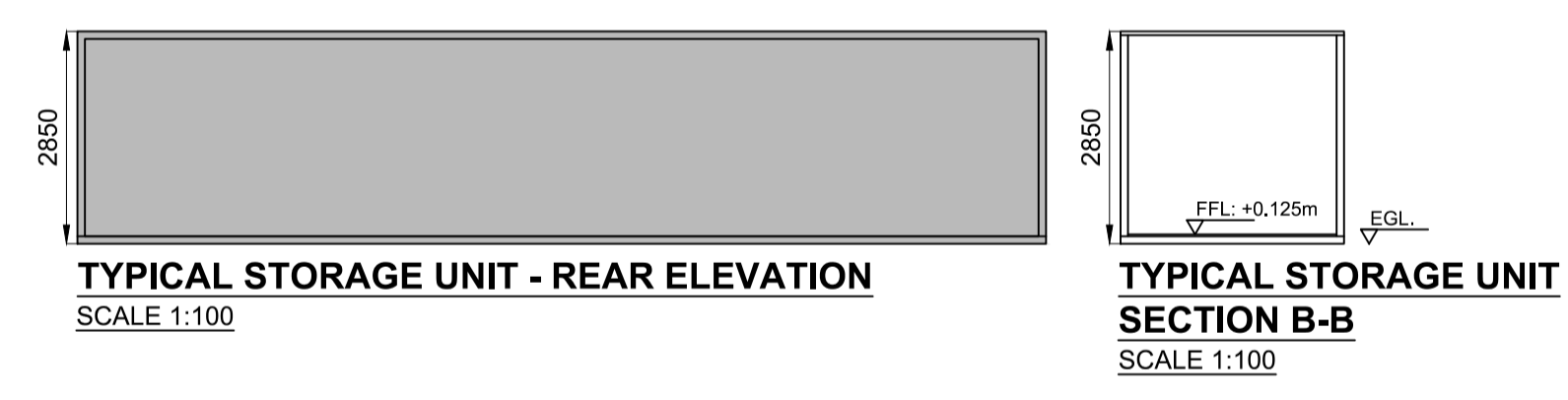
TYPICAL 10m x 4m UNIT - REAR ELEVATION
SCALE 1:100

TYPICAL 10m x 4m UNIT - FRONT ELEVATION
SCALE 1:100

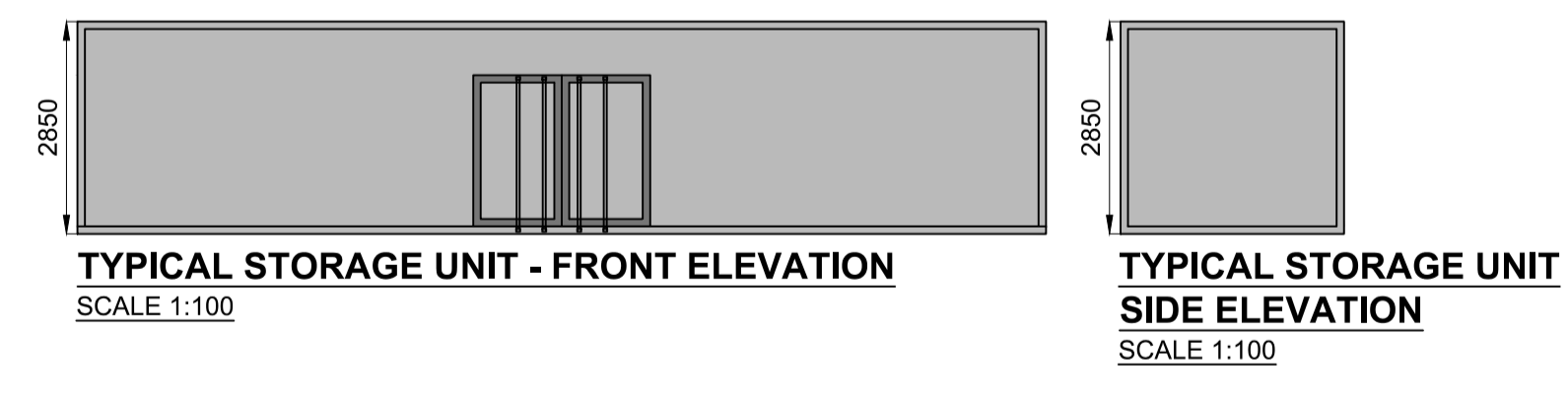


TYPICAL 10m x 4m UNIT - SECTION A-A
SCALE 1:100

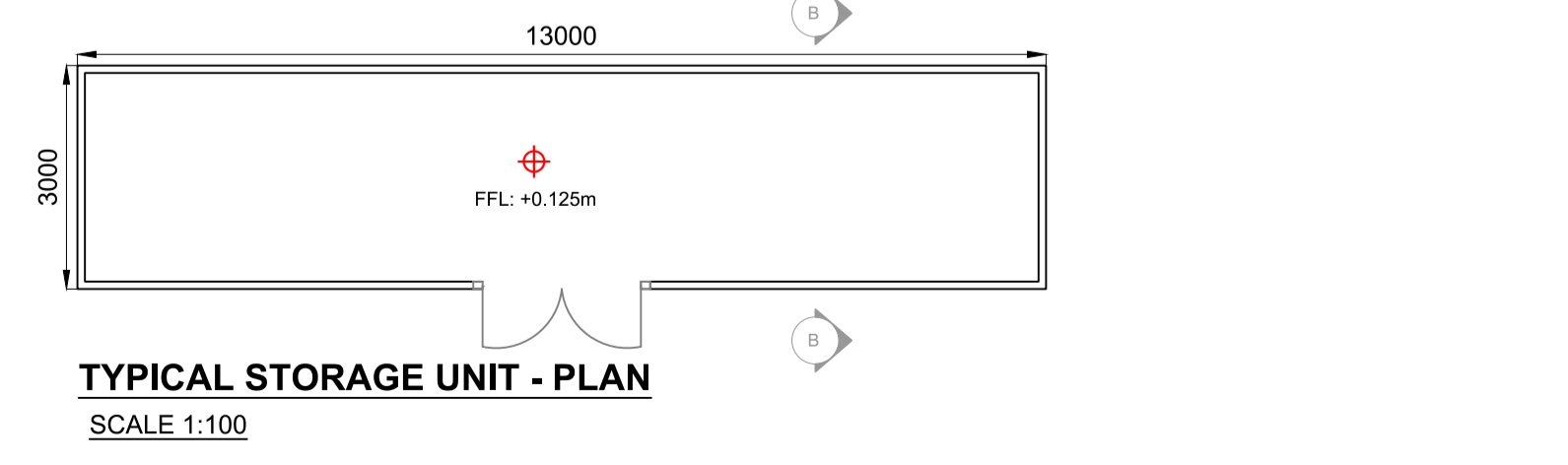
TYPICAL 10m x 4m UNIT - SIDE ELEVATION
SCALE 1:100



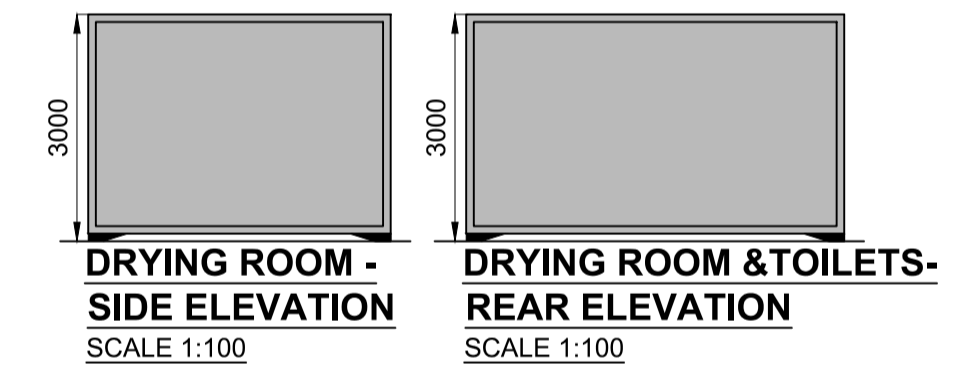
TYPICAL STORAGE UNIT - REAR ELEVATION
SCALE 1:100



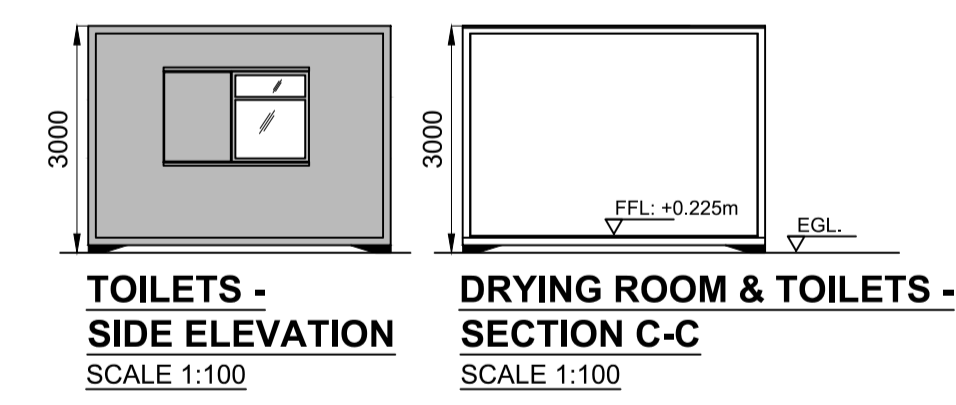
TYPICAL STORAGE UNIT - FRONT ELEVATION
SCALE 1:100



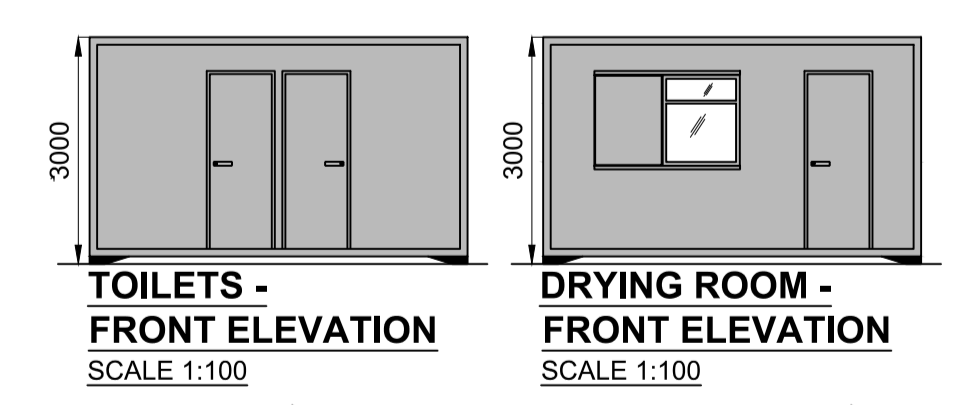
TYPICAL STORAGE UNIT - PLAN
SCALE 1:100



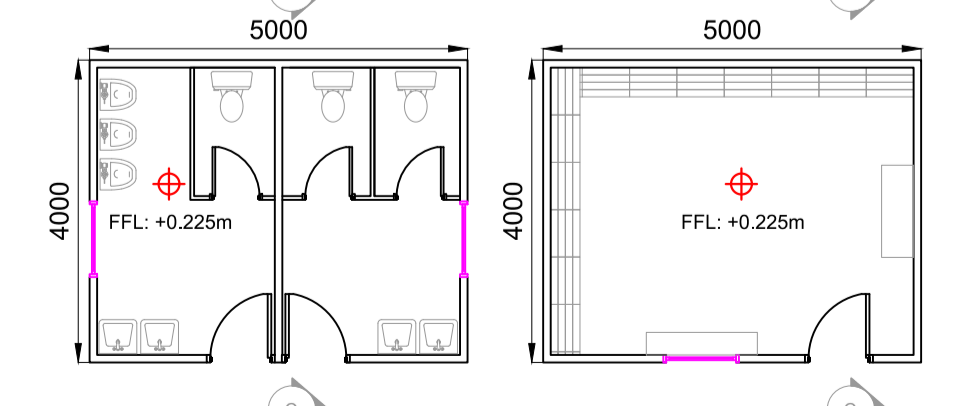
DRYING ROOM - SIDE ELEVATION
SCALE 1:100



DRYING ROOM & TOILETS - REAR ELEVATION
SCALE 1:100



TOILETS - SIDE ELEVATION
SCALE 1:100



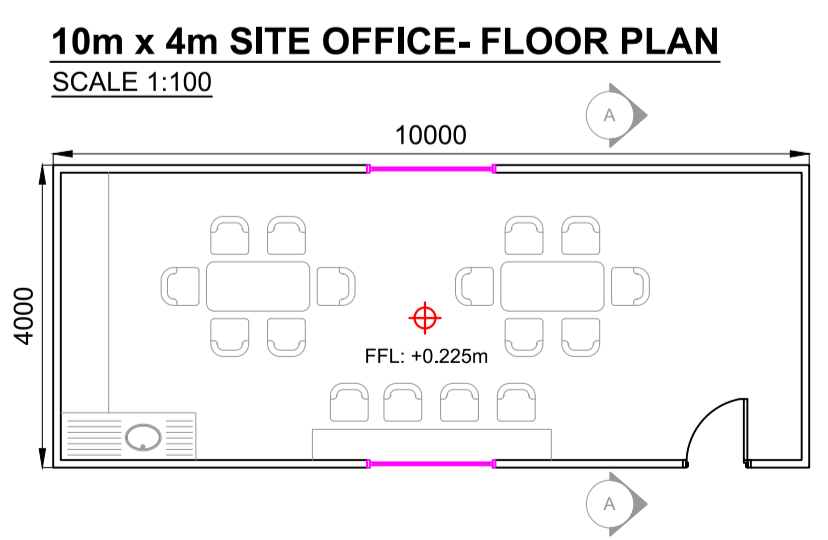
DRYING ROOM & TOILETS - SECTION C-C
SCALE 1:100



TOILETS - FRONT ELEVATION
SCALE 1:100



DRYING ROOM - FRONT ELEVATION
SCALE 1:100



10m x 4m SITE OFFICE - FLOOR PLAN
SCALE 1:100



10m x 4m CANTEEN - FLOOR PLAN
SCALE 1:100

Rev	Date	Description	By	Chkd.
A	Jan. '19	PLANNING ISSUE	MN	ST

Client: **BORD NA MÓNA**
Naturally Driven

Project: **DERRYADD WIND FARM**

Title: **PROPOSED TEMPORARY SITE COMPOUND & ELEVATIONS**

Scale @ A1: **As Shown**

Prepared by:	Checked:	Date:
M. Nolan	S. Tinnelly	January 2019
Project Director:	D. Grehan	
Drawing Status:	Planning	

TOBIN
Patrick J. Tobin & Co. Ltd.

TOBIN Consulting Engineers,
Block 10-4, Blanchardstown Corporate Park,
Dublin 15, Ireland.
tel: +353-(0)1-8030406
fax: +353-(0)1-8030409
e-mail: dublin@tobin.ie
www.tobin.ie

TOBIN Consulting Engineers will not be liable for any use of this document for any purpose other than that for which it was originally prepared and approved. Except where specifically noted, no liability shall be accepted by TOBIN Consulting Engineers for any errors or omissions in this document. This document shall not be reproduced or transmitted in any form and this document shall not be relied upon by any third party for any purpose.

Drawing No.: **10325-2020**

Revision: **A**